

Triple glazing

**THINK  
ABOUT  
IT?**



**Spectus**<sup>®</sup>  
WINDOW SYSTEMS



# Why does Triple Glazing make such a difference?

At Spectus Window Systems we continue to innovate and develop new products. With the predicted changes in Building Regulations which look set to demand lower U-values, our triple glazing solution, is an easy and cost effective way to comply.

We offer two aesthetically pleasing triple glazing beads, one chamfered and one ovolo. The beads are stocked in standard finishes and they are also available in a different range of colours and woodgrain finishes.

Many variations of glass coatings, spacer bars, edge sealants and gas fills can be used to provide bespoke options to balance cost and performance. For example, triple glazed units, argon filled can deliver 0.8W/(m<sup>2</sup>K) whole window U-values.

## Features at a glance

Triple glazing can provide higher levels of thermal insulation than double glazing. Reduced energy bills therefore, reduced carbon footprint.

- Two cavities for extra insulation
- The use of simple additional components will allow an otherwise standard casement window to achieve a whole window U-value of 0.8 W/(m<sup>2</sup>K)
- Many variations of glass coatings, spacer bars, edge sealants and gas fills can be used to provide bespoke options to balance cost/performance
- B66 allows the use of a 44mm IGU in Elite 70 and 40mm IGU in Elite 63
- B55 allows the use of a 40mm IGU in Elite 70 and 36mm IGU in Elite 63
- The Elite 70 44mm option provides two 16mm cavities for optimum performance using Argon fill (and not expensive Krypton fill). Making the Spectus solution possibly the most cost effective on the market



# Weighing up the options

Triple Glazing sounds as though it's the obvious choice. It seems logical – three must be better than two – but, unfortunately, it's not that simple.

Very low U-values can be achieved with triple glazed windows. Some building standards, such as the Zero Carbon Homes initiative and the Code for Sustainable Homes demand these low U-values. However, for replacements, double-glazed windows can achieve the best WER ratings. It's a case of weighing up the pros and cons:

## Pros

Triple glazing can provide higher levels of thermal insulation than double glazing. Reduced energy bills therefore, reduced carbon footprint.

- Low U-values
- Reduced energy consumption
- Effective in buildings with large expanses of glass
- Sound insulation perception
- Avoids cold spots in highly insulated buildings

## Cons

- More expensive
- Heavier
- May reduce light or passive solar gain
- May require different hardware because of increased weight
- Energy savings may be moderate compared to highly rated double glazed windows

## So, is it the right choice?

Well, it all depends. It depends on how well insulated the rest of the property is. It depends on how energy-efficient the householder wants to be, and what they are prepared to pay. It depends on how much glass there is in the building and on its aspect and its location. It depends on whether it's a new build or a replacement project.

It's a question of doing the research; doing the sums. When the decision to triple glaze is made, we'll help you with a wide range of options so that the windows and doors are just right for the job.



# The Spectus triple glazing solution

For over thirty years, we have been at the forefront of PVC-U window and door design. Our British made systems are some of the most complete and advanced on the UK market. It's no surprise therefore, that we offer such a wide range of triple glazing solutions.

Like other products in the Spectus range, they are simple, cost effective and they work. If you want a triple glazed window you need look no further.

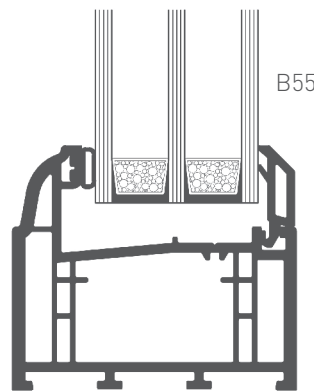
Existing outerframe and sash sections are used which avoids extra stock-holding costs. There are two triple glazing compatible beads, suitable for ovolo or chamfered shaped frames. Like other products the beads are available in a wide choice of colours and finishes: we don't believe you should compromise on style when opting for energy-efficiency.



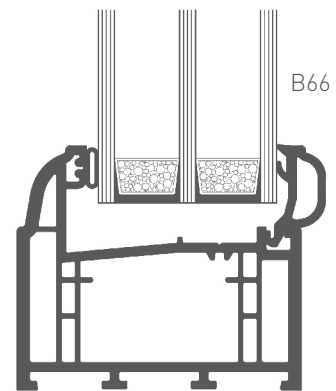
## Our offering

We have developed 2 aesthetically pleasing beads that suit triple glazing.

### ELITE 70

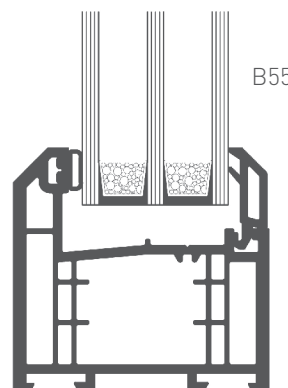


40mm IGU (14mm cavities)  
in Elite 70

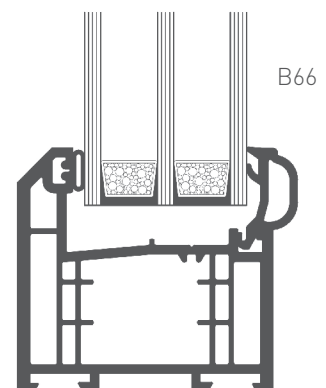


44mm IGU (16mm cavities)  
in Elite 70

### ELITE 63



36mm IGU (12mm cavities)  
in Elite 63



40mm IGU (14mm cavities)  
in Elite 63

# Achieving the windows you want

There are many variations possible, each contributing to the energy-efficiency of a window.

Low emissivity glass, the type of gas fill and the size of the cavity all impact on performance. The type of spacer bars and the edge sealants all make a difference.

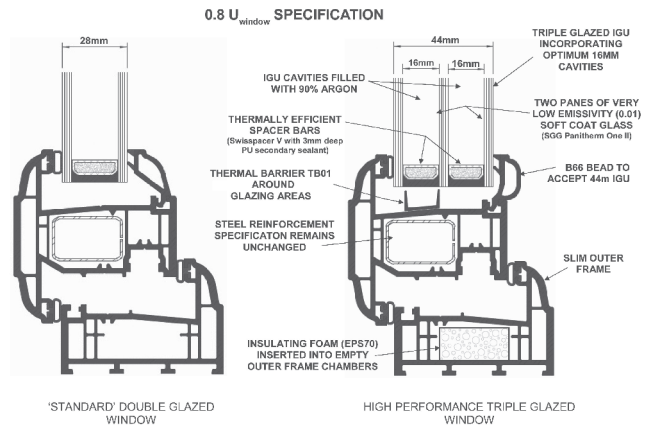
Within the outerframe and sash, insulating foam or thermal barrier technologies can be used.

How low you go with the U-values depends on what goes into the window. More features mean more savings in energy, but may also increase the cost.

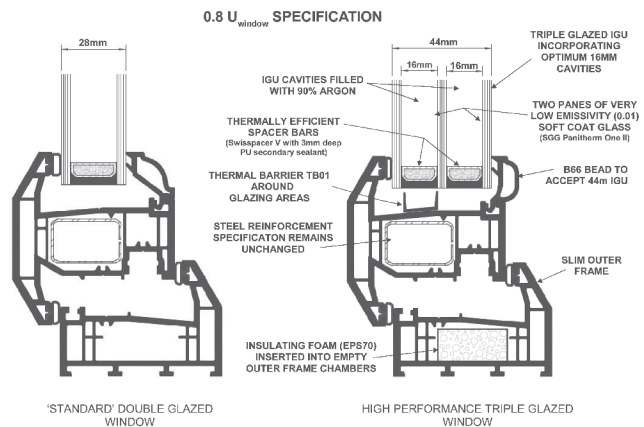
The important thing to remember is that it's possible to achieve a U-value of  $0.8W/(m^2K)$  with both the Elite 63 and Elite 70 systems without changing your outerframes or sashes. Glazing widths include 36mm and 40mm for the slimline Elite 63 and 40mm and 44mm for Elite 70.

Contact us to find out more on [01952 283344](tel:01952283344), or email [contacting@spectus.co.uk](mailto:contacting@spectus.co.uk) and we'll help you to achieve the window that your customer wants.

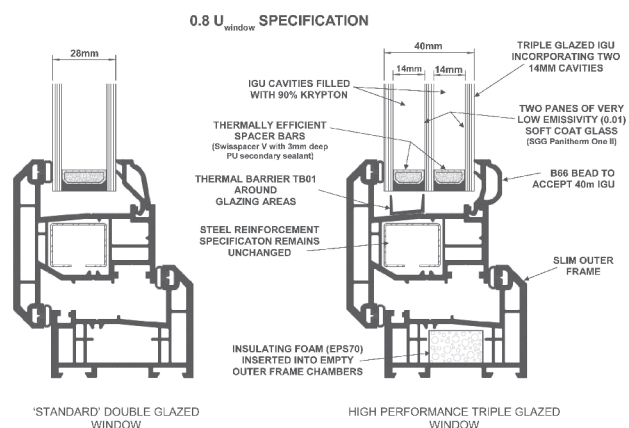
## Extra Performance – Elite 70 Ovolo



## Extra Performance – Elite 70 Bevelled



## Extra Performance – Elite 63 Chamfered



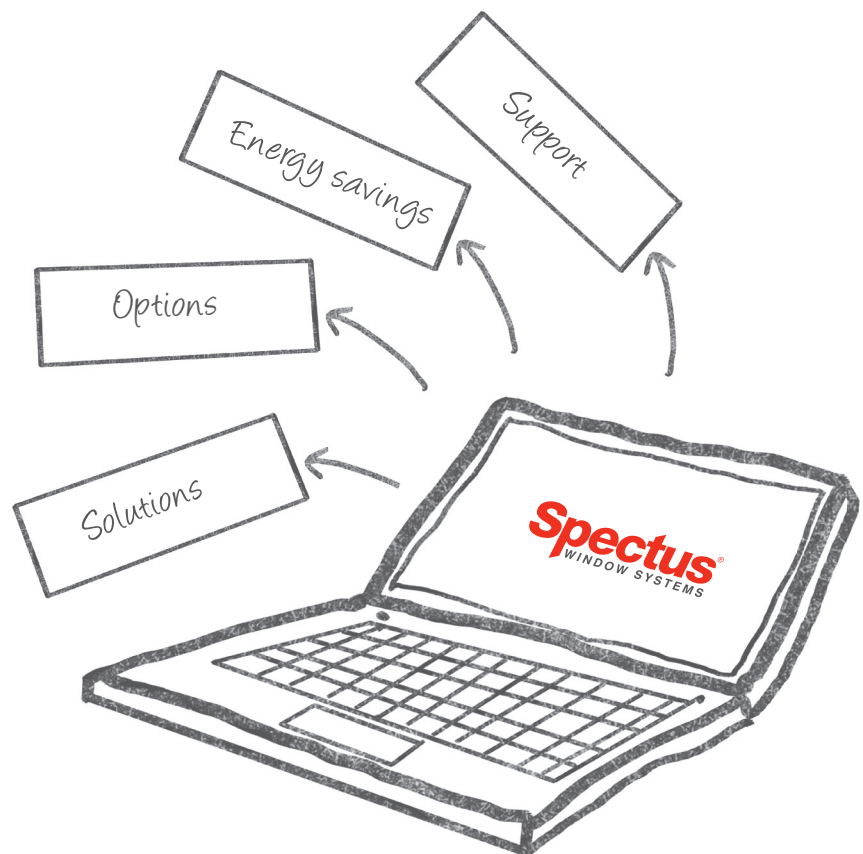
## More to think about ...

With the Spectus solution you can offer what your customer wants without having to change your whole business set up. Offering a triple glazed solution gives you more market opportunities for little extra investment.

Triple glazing is more expensive, but that is largely due to the extra costs of the glazing unit and, for the consumer, those extra costs can be offset by energy savings,

Triple glazing is heavier. Where manual handling is used, you'll need to factor in the extra weight and use more manpower at times. Existing reinforcing is up to the job but hardware may need to be of higher specification. Take care to pick hinges that are able to support the extra sash weights.

The usual standards for window installation apply. Triple glazed windows must be installed in accordance with the British Standards Institution's requirements and the British Plastics Federation's code of practice.



### Done thinking?

If you've thought about triple glazing long enough and are ready to take the plunge, then talk to us. We'll make sure you get the results that you need and your customer expects.

# #thinkred

 **01952 283344**  
 [marketing@spectus.co.uk](mailto:marketing@spectus.co.uk)  
 [www.spectus.co.uk](http://www.spectus.co.uk)  
  

# Spectus<sup>®</sup>

WINDOW SYSTEMS

**Spectus Window Systems**  
Stafford Park 6, Telford,  
Shropshire TF3 3AT



This brochure is printed on Offset recycled stock using vegetable based inks.

